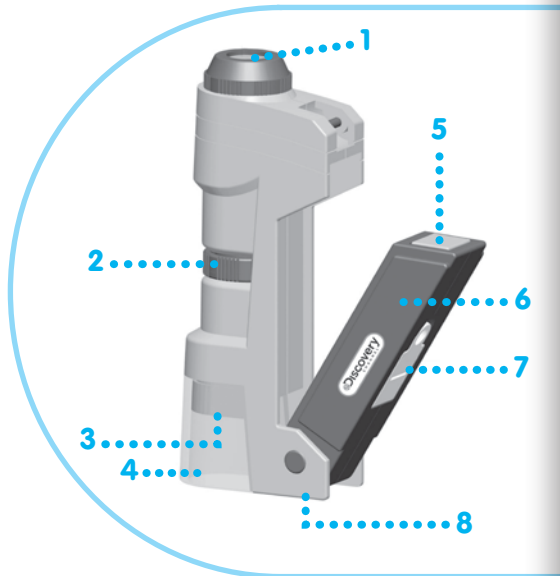


Components

1. **Eyepiece**
2. **Focus adjustment wheel**
 - Adjust the wheel until the image is sharp.
 - If the image is not clear, try moving the microscope closer or further away from the object and adjust the focus again.
3. **Objective lens**
4. **Transparent cover**
 - Keep the object within this area for easy focusing.
5. **Illumination switch**
6. **Arm**
7. **Battery compartment**
8. **LED illuminator**



Magnification: 50X

Preparation

Before use, remove the battery insulation tab by carefully pulling it

How to use

View a solid object:

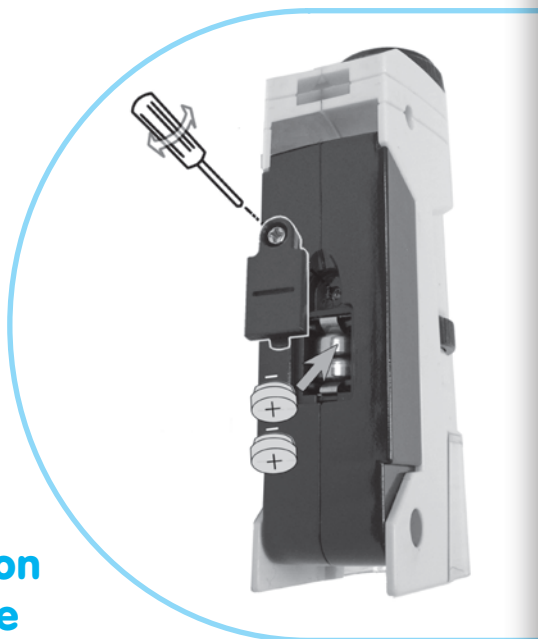
Put the microscope on top of the object to be viewed. Turn on the illuminator switch (5) and adjust the arm angle for optimum brightness. Adjust the focus wheel (2) until the image is clear. Remove the transparent cover (4) by sliding it out if needed, for example, if the size of the specimen is too large to fit within the space.



Battery Installation

The LED Scope uses two LR41 batteries (included).

1. With a small Phillips screwdriver, loosen the screw from the battery door.
2. Remove the battery door.
3. Discard the old batteries.
4. Insert two 1.5 Volt LR41 batteries per the polarity markings in the battery compartment.
5. Replace the battery door and tighten the screw.



Important Information – Safe Battery Usage

- Only adults should replace batteries.
- Do not mix battery types or old and new batteries.
- Do not use rechargeable batteries.
- Non-rechargeable batteries are not to be recharged.
- Batteries are to be inserted with the correct polarity.
- Do not short-circuit the supply terminals.
- Remove exhausted batteries from the toy.
- When the toy is not in use, remove batteries to prevent possible leakage.
- Use only recommended or equivalent battery types.
- Do not dispose of batteries in fire: batteries may explode or leak.

Ages 6+

Please retain the information in this manual for future reference.

Colour, designs and decorations may vary from those shown in the photographs.

Item no. D21

WARNING! To be used under the direct supervision of an adult.



Made in China.



Distributed by Trends UK Ltd,
Harwell Innovation Centre, Curie Avenue,
Harwell Oxford, Didcot OX11 0QG. UK
Email: trends@jgdirect.net
www.trendsuk.co.uk

Customer Services:
+44 (0)1702 208175